



Image for illustrative purpose only

Summary

[Request a quote](#)

[Catalog](#)

Number of contacts Low Voltage	16
Nb of contacts Coax	2
Wire Size/AWG	26 - 22
Gender	Standard
Socket / Receptacle	Socket / Receptacle - Fixed Panel Rear Mounted
Locking system	Push-pull
Jacket cable outside diameter [mm]	2.00 - 16.60 mm
Size	3B
Suggested matching part	FGG.3B.856.CLCD103
Series	B - Indoor keyed

https://www.lemo.com/int_en/solutions/originals/b-indoor-keyed/ecg-3b-856-clm3.html

LEMO products and services are provided "as is". LEMO makes no warranties or representations with regard to LEMO product & services or use of them, express, implied or statutory, including for accuracy, completeness, or security. The user is fully responsible for his products and applications using LEMO components.

Technical details

Electrical Configuration

Number of contacts Low Voltage	16
Contact Termination Low voltage	Crimp
Nb of contacts Coax	2
Contact Termination Coax - Conductor fixing	Crimp
Contact Termination Coax - Screen fixing	Crimp
R (max)	5.8 mOhm
Insert configuration value	3B.856 - 2 Coax (50 Ohm), 16 Low V.
Insulator	L: PEEK (UL 94 / V-0/1.5)
Rated current	7 A
OHM	50
Test voltage (kV DC)	1
Max. Conductor	0.34 mm ² (AWG 22)
Min. Conductor	0.34 mm ² (AWG 22)
Cable type	RG 179 B/U, RG 187 A/U
Contact Dia.	0.7 mm (0.03in)
Wire Size/AWG	26 - 22
Gender	Standard

Form & Material

Shell style / Model id	EC - Fixed receptacle with two nuts (back panel mounting)
Socket / Receptacle	Fixed Panel Rear Mounted
Housing material	Brass (chrome plated [SAE AMS 2460]) shell and collet nut, nickel plated [SAE AMS QQ N 290] brass latch sleeve and mid pieces
Locking system	Push-pull
Keying	G: 1 key (alpha=0, plug: male contacts, receptacle: female contacts)
Colour	Grey
Weight	33.73 g

https://www.lemo.com/int_en/solutions/originals/b-indoor-keyed/ecg-3b-856-clm3.html

LEMO products and services are provided "as is". LEMO makes no warranties or representations with regard to LEMO product & services or use of them, express, implied or statutory, including for accuracy, completeness, or security. The user is fully responsible for his products and applications using LEMO components.

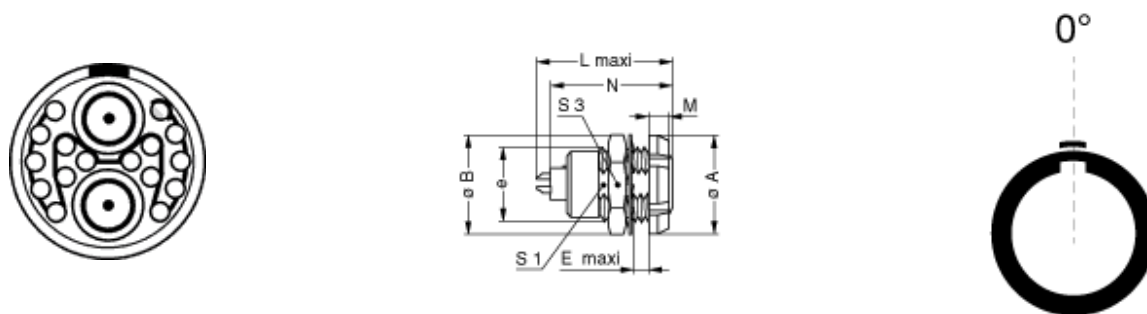
Environment

Technical domain	Audio Video, Energy and Industrial, Medical, Semiconductor, Specialties and Other, Test and Measurement, Transportation, Aerospace and UAV
Environmental sealing (IP rating)	IP50
Endurance	5000 mating cycles
Temperature range	-55°C / +250°C (max. temperature valid for short periods of use.)
Climatical Category	50/175/21
Humidity (max)	<=95% [at 60 deg C /140 F]
Shielding (min)	75 dB (10 MHz)
Shielding (min)	40 dB (1 GHz)
Shock Resistance	100 g [6 ms]
Vibration	15 g [10 Hz - 2000 Hz]
Salt Spray Corrosion	>1000 hr

Cable fixation

Jacket cable outside diameter [mm]	2.00 - 16.60 mm
------------------------------------	-----------------

Drawings



Dimensions

	B	A	E	L	M	N	S1	S3	e
mm.	25	24	9	30.7	4.5	28.1	16.5	22	M18x1.0
in.	0.98	0.94	0.35	1.21	0.18	1.11	0.65	0.87	

https://www.lemo.com/int_en/solutions/originals/b-indoor-keyed/ecg-3b-856-clm3.html

LEMO products and services are provided "as is". LEMO makes no warranties or representations with regard to LEMO product & services or use of them, express, implied or statutory, including for accuracy, completeness, or security. The user is fully responsible for his products and applications using LEMO components.

Recommended By Lemo

Accessories

Replacement contact [EGG.3B.655.ZZM](#)

Compatible cap [BRE.3S.200.NAS](#)

Tools

Die Tool [DPE.99.103.8K](#)

Positionner [DCE.91.073.BVM](#)

Extraction tool [DCC.07.04B.LAG](#)

Crimp tool [DPC.91.701.V](#)

Spanner wrench [Socket for torque wrench DCM.65.200.AZ](#)

https://www.lemo.com/int_en/solutions/originals/b-indoor-keyed/ecg-3b-856-clm3.html

LEMO products and services are provided "as is". LEMO makes no warranties or representations with regard to LEMO product & services or use of them, express, implied or statutory, including for accuracy, completeness, or security. The user is fully responsible for his products and applications using LEMO components.