



## Summary

[Request a quote](#)

[Catalog](#)

Number of contacts Low Voltage	19
Wire Size/AWG	30 - 22
Gender	Standard
Socket / Receptacle	Socket / Receptacle - Fixed Panel Rear Mounted
Locking system	Push-pull
Jacket cable outside diameter [mm]	1.00 - 15.60 mm
Size	2P
Matching parts	<a href="#">CAB.M19.GLA.C52G</a>
Series	REDEL P - Push-Pull

## Technical details

[https://www.lemo.com/int\\_en/solutions/redel/redel-p-push-pull/ckb-m19-gllg.html](https://www.lemo.com/int_en/solutions/redel/redel-p-push-pull/ckb-m19-gllg.html)

LEMO products and services are provided "as is". LEMO makes no warranties or representations with regard to LEMO product & services or use of them, express, implied or statutory, including for accuracy, completeness, or security. The user is fully responsible for his products and applications using LEMO components.

## Electrical Configuration

Contact Termination Low voltage	Solder
Insert configuration value	2P.M19 - 19 Low V.
Insulator	L: PEEK for solder contacts
Rated current	5 Amps
Test voltage (kV rms) Contact-contact	1.4
Contact Type	Solder
Air clearance	0.6 mm
Creepage distance	0.6 mm
Bucket Dia.	0.8 mm (0.031in)
Contact Dia.	0.7 mm (0.027in)
Number of contacts Low Voltage	19
Wire Size/AWG	30 - 22
Gender	Standard

## Form & Material

Shell style / Model id	CK - Fixed receptacle with two nuts (back panel mounting)
Socket / Receptacle	Fixed Panel Rear Mounted
Housing material	PSU (Polysulfone), gray
Locking system	Push-pull
Keying	3 keys (alpha=0, gamma=60, Plug: male contacts, Receptacle: female contacts)
Weight	7.02 g

## Environment

Technical domain	Energy and Industrial, Medical, Test and Measurement, Transportation, Aerospace and UAV
Environmental protection (IP rating)	IP50
Minimal temperature	-50°C / +150°C
F ret (max)	250 N
F ret (min)	150 N
Steam sterilization	20 times

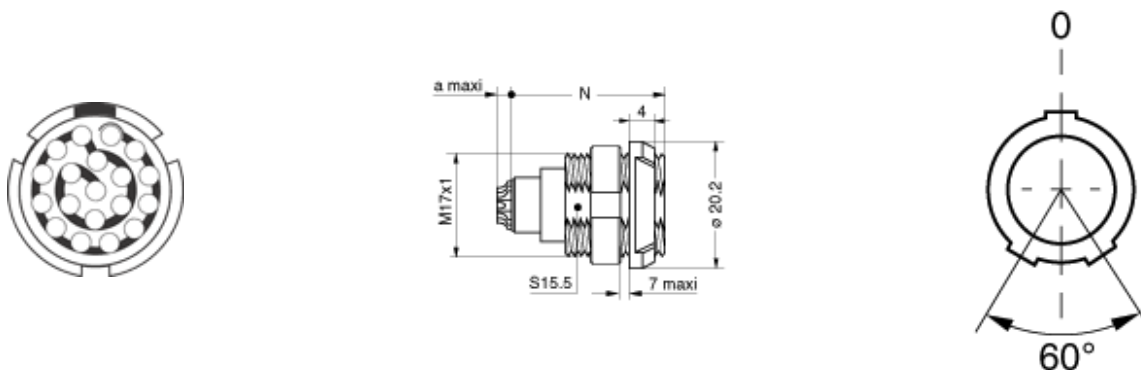
[https://www.lemo.com/int\\_en/solutions/redel/redel-p-push-pull/ckb-m19-gllg.html](https://www.lemo.com/int_en/solutions/redel/redel-p-push-pull/ckb-m19-gllg.html)

LEMO products and services are provided "as is". LEMO makes no warranties or representations with regard to LEMO product & services or use of them, express, implied or statutory, including for accuracy, completeness, or security. The user is fully responsible for his products and applications using LEMO components.

## Cable fixation

Cable termination protection	Standard back nut (no additional protection)
Fixation type	Cable collet
Jacket cable outside diameter [mm]	1.00 - 15.60 mm

## Drawings



## Dimensions

	N	a
mm.	23.8	3.4-4.9
in.	0.94	

## Recommended By Lemo

### Accessories

### Tools

## Cables

Cable PartNumber	Material	Colour	Cable image
CMN.19.T22.079QGZE	TPR (medical)	Grey	

[https://www.lemo.com/int\\_en/solutions/redel/redel-p-push-pull/ckb-m19-gllg.html](https://www.lemo.com/int_en/solutions/redel/redel-p-push-pull/ckb-m19-gllg.html)

LEMO products and services are provided "as is". LEMO makes no warranties or representations with regard to LEMO product & services or use of them, express, implied or statutory, including for accuracy, completeness, or security. The user is fully responsible for his products and applications using LEMO components.