



Image for illustrative purpose only

Summary

[Request a quote](#)

[Catalog](#)

Size

3K

Series

K - Outdoor keyed

https://www.lemo.com/int_en/solutions/originals/k-outdoor-keyed/bfe-3k-100-nas.html

LEMO products and services are provided "as is". LEMO makes no warranties or representations with regard to LEMO product & services or use of them, express, implied or statutory, including for accuracy, completeness, or security. The user is fully responsible for his products and applications using LEMO components.

Technical details

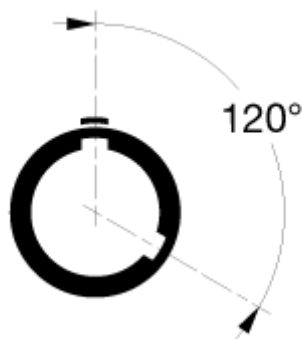
Form & Material

Shell style / Model id	BFE - Cap for plug
Housing material	Brass (nickel plated [SAE AMS QQ N 290]) shell, collet nut, latch sleeve and mid pieces
Keying	2 keys (beta=120, plug: male contacts, receptacle: female contacts)
Colour	Grey
Weight	25.01 g

Environment

Technical domain	Audio Video, Energy and Industrial, Medical, Test and Measurement
Environmental sealing (IP rating)	IP68
Temperature range	-55°C / +135°C
Climatical Category	50/175/21
Humidity (max)	<=95% [at 60 deg C /140 F]
Shielding (min)	95 dB (10 MHz)
Shielding (min)	80 dB (1 GHz)
Shock Resistance	100 g [6 ms]
Vibration	15 g [10 Hz - 2000 Hz]
Salt Spray Corrosion	>144 hr

Drawings



https://www.lemo.com/int_en/solutions/originals/k-outdoor-keyed/bfe-3k-100-nas.html

LEMO products and services are provided "as is". LEMO makes no warranties or representations with regard to LEMO product & services or use of them, express, implied or statutory, including for accuracy, completeness, or security. The user is fully responsible for his products and applications using LEMO components.

Dimensions

	A	B	L	N
mm.	23	6	22	120
in.	0.91	0.24	0.87	4.72

https://www.lemo.com/int_en/solutions/originals/k-outdoor-keyed/bfe-3k-100-nas.html

LEMO products and services are provided "as is". LEMO makes no warranties or representations with regard to LEMO product & services or use of them, express, implied or statutory, including for accuracy, completeness, or security. The user is fully responsible for his products and applications using LEMO components.