



Image for illustrative purpose only

Summary

[Request a quote](#)

[Catalog](#)

Number of contacts Low Voltage	1
Locking system	Push-pull
Size	3N
Series	N - Nuclear Stainless Steel

https://www.lemo.com/int_en/solutions/supreme/n-nuclear-stainless-steel/asg-3n-160-tlmpv.html

LEMO products and services are provided "as is". LEMO makes no warranties or representations with regard to LEMO product & services or use of them, express, implied or statutory, including for accuracy, completeness, or security. The user is fully responsible for his products and applications using LEMO components.

Technical details

Electrical Configuration

Contact Termination Low voltage	Crimp
Insert configuration value	3N.160 - 1 Low Voltage
Insulator	L: PEEK (UL 94 / V-0/1.5)
Number of contacts Low Voltage	1

Form & Material

Shell style / Model id	ASG - Fixed adapter to K/N series plug, vacuum tight, nut fixing
Housing material	Stainless steel shell, collet nut and latch sleeve, nickel plated [SAE AMS QQ N 290] brass mid pieces
Locking system	Push-pull
Keying	Push-Pull latch for manipulator. Female contacts
Colour	Grey
Variant	Watertight / Vacuum-tested unmated (connector to device)
Weight	221.29 g

Environment

Technical domain	Energy and Industrial, Specialties and Other
Environmental sealing (IP rating)	Hermetic unmated
Endurance	>1000 mating cycles
R leak (He) (max)	0.0000001 mbar*/l/s (if vacuum-tested)

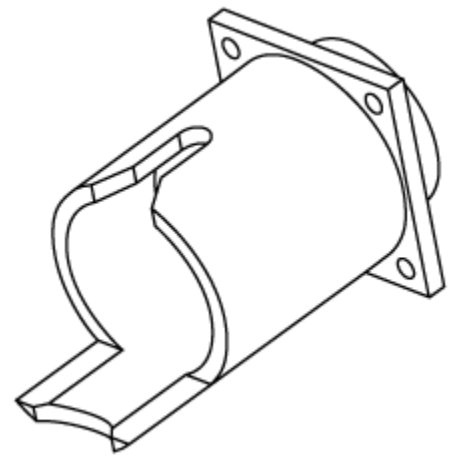
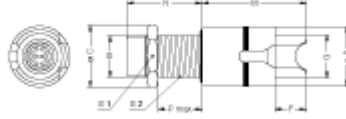
Cable fixation

Cable termination protection	Standard back nut (no additional protection)
------------------------------	--

Drawings

https://www.lemo.com/int_en/solutions/supreme/n-nuclear-stainless-steel/asg-3n-160-tlmpv.html

LEMO products and services are provided "as is". LEMO makes no warranties or representations with regard to LEMO product & services or use of them, express, implied or statutory, including for accuracy, completeness, or security. The user is fully responsible for his products and applications using LEMO components.



Dimensions

	A	B	C	F	G	M	N	P	S1	S2
mm.	32	M24x1.0	34	18.5	19	56.5	54.0	37	30	22.5
in.	1.26		1.34	0.73	0.75	2.22	2.13	1.46	1.18	0.89

https://www.lemo.com/int_en/solutions/supreme/n-nuclear-stainless-steel/asg-3n-160-tlmpv.html

LEMO products and services are provided "as is". LEMO makes no warranties or representations with regard to LEMO product & services or use of them, express, implied or statutory, including for accuracy, completeness, or security. The user is fully responsible for his products and applications using LEMO components.