



Image for illustrative purpose only

Summary

[Request a quote](#)

[Catalog](#)

Number of contacts Low Voltage	12
Wire Size/AWG	30 - 22
Locking system	Push-pull
Size	3N
Series	N - Nuclear Stainless Steel

https://www.lemo.com/int_en/solutions/supreme/n-nuclear-stainless-steel/ajg-3n-312-tlapv.html

LEMO products and services are provided "as is". LEMO makes no warranties or representations with regard to LEMO product & services or use of them, express, implied or statutory, including for accuracy, completeness, or security. The user is fully responsible for his products and applications using LEMO components.

Technical details

Electrical Configuration

Contact Termination Low voltage	Solder
Insert configuration value	3N.312 - 12 Low Voltage
Insulator	L: PEEK (UL 94 / V-0/1.5)
Rated current	9 A
Contact Type	Solder
Contact Dia.	0.9 mm (0.04in)
Number of contacts Low Voltage	12
Wire Size/AWG	30 - 22

Form & Material

Shell style / Model id	AJG - Fixed adapter to K series, vacuumtight (interchangeable insulator)
Housing material	Stainless steel shell, collet nut and latch sleeve, nickel plated [SAE AMS QQ N 290] brass mid pieces
Locking system	Push-pull
Keying	Push-Pull latch for manipulator. Male contacts
Colour	Grey
Variant	Watertight / Vacuum-tested unmated (connector to device)
Weight	423.28 g

Environment

Technical domain	Energy and Industrial, Specialties and Other
Environmental sealing (IP rating)	Hermetic unmated
Endurance	>1000 mating cycles
R leak (He) (max)	0.0000001 mbar*/l/s (if vacuum-tested)

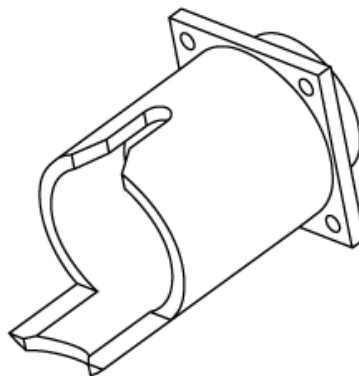
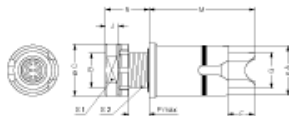
Cable fixation

Cable termination protection	Standard back nut (no additional protection)
------------------------------	--

https://www.lemo.com/int_en/solutions/supreme/n-nuclear-stainless-steel/ajg-3n-312-tlapv.html

LEMO products and services are provided "as is". LEMO makes no warranties or representations with regard to LEMO product & services or use of them, express, implied or statutory, including for accuracy, completeness, or security. The user is fully responsible for his products and applications using LEMO components.

Drawings



Dimensions

	A	B	C	F	G	J	M	N	P	S1	S2
mm.	32	M30x1	40	18.5	19	13	80.6	30	7	36	28.5
in.	1.26		1.57	0.73	0.75	0.51	3.17	1.18	0.28	1.42	1.12

https://www.lemo.com/int_en/solutions/supreme/n-nuclear-stainless-steel/ajg-3n-312-tlapv.html

LEMO products and services are provided "as is". LEMO makes no warranties or representations with regard to LEMO product & services or use of them, express, implied or statutory, including for accuracy, completeness, or security. The user is fully responsible for his products and applications using LEMO components.