



*Image for illustrative purpose only*

## Summary

[Request a quote](#)

[Catalog](#)

Number of contacts Low Voltage	10
Wire Size/AWG	28 - 20
Locking system	Push-pull
Size	3N
Series	N - Nuclear Stainless Steel

[https://www.lemo.com/int\\_en/solutions/supreme/n-nuclear-stainless-steel/ajg-3n-310-tlapv.html](https://www.lemo.com/int_en/solutions/supreme/n-nuclear-stainless-steel/ajg-3n-310-tlapv.html)

LEMO products and services are provided "as is". LEMO makes no warranties or representations with regard to LEMO product & services or use of them, express, implied or statutory, including for accuracy, completeness, or security. The user is fully responsible for his products and applications using LEMO components.

# Technical details

## Electrical Configuration

Contact Termination Low voltage	Solder
Insert configuration value	3N.310 - 10 Low Voltage
Insulator	L: PEEK (UL 94 / V-0/1.5)
Rated current	12 A
Contact Type	Solder
Contact Dia.	1.3 mm (0.05in)
Number of contacts Low Voltage	10
Wire Size/AWG	28 - 20

## Form & Material

Shell style / Model id	AJG - Fixed adapter to K series, vacuumtight (interchangeable insulator)
Housing material	Stainless steel shell, collet nut and latch sleeve, nickel plated [SAE AMS QQ N 290] brass mid pieces
Locking system	Push-pull
Keying	Push-Pull latch for manipulator. Male contacts
Colour	Grey
Variant	Watertight / Vacuum-tested unmated (connector to device)
Weight	425.88 g

## Environment

Technical domain	Energy and Industrial, Specialties and Other
Environmental sealing (IP rating)	Hermetic unmated
Endurance	>1000 mating cycles
R leak (He) (max)	0.0000001 mbar*/l/s (if vacuum-tested)

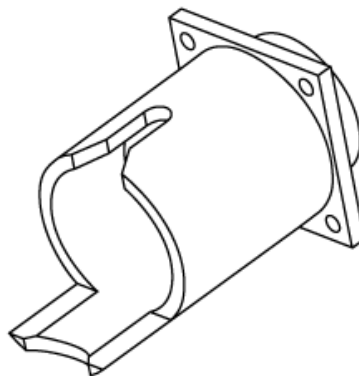
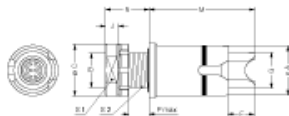
## Cable fixation

Cable termination protection	Standard back nut (no additional protection)
------------------------------	--

[https://www.lemo.com/int\\_en/solutions/supreme/n-nuclear-stainless-steel/ajg-3n-310-tlapv.html](https://www.lemo.com/int_en/solutions/supreme/n-nuclear-stainless-steel/ajg-3n-310-tlapv.html)

LEMO products and services are provided "as is". LEMO makes no warranties or representations with regard to LEMO product & services or use of them, express, implied or statutory, including for accuracy, completeness, or security. The user is fully responsible for his products and applications using LEMO components.

# Drawings



## Dimensions

	<b>A</b>	<b>B</b>	<b>C</b>	<b>F</b>	<b>G</b>	<b>J</b>	<b>M</b>	<b>N</b>	<b>P</b>	<b>S1</b>	<b>S2</b>
mm.	32	M30x1	40	18.5	19	13	80.6	30	7	36	28.5
in.	1.26		1.57	0.73	0.75	0.51	3.17	1.18	0.28	1.42	1.12

[https://www.lemo.com/int\\_en/solutions/supreme/n-nuclear-stainless-steel/ajg-3n-310-tlapv.html](https://www.lemo.com/int_en/solutions/supreme/n-nuclear-stainless-steel/ajg-3n-310-tlapv.html)

LEMO products and services are provided "as is". LEMO makes no warranties or representations with regard to LEMO product & services or use of them, express, implied or statutory, including for accuracy, completeness, or security. The user is fully responsible for his products and applications using LEMO components.