



## Summary

[Request a quote](#)

[Catalog](#)

Number of contacts Low Voltage	19
Wire Size/AWG	26 - 22
Gender	Standard
Socket / Receptacle	Socket / Receptacle - Fixed Panel Rear Mounted
Locking system	Ratchet
Jacket cable outside diameter [mm]	6.50 - 13.00 mm
Size	2M
Matching parts	<a href="#">FGP.2M.319.XLCM</a>
Series	M - Rugged Ratchet coupling

## Technical details

[https://www.lemo.com/int\\_en/solutions/optima/m-ratchet-coupling/pep-2m-319-xlmm.html](https://www.lemo.com/int_en/solutions/optima/m-ratchet-coupling/pep-2m-319-xlmm.html)

LEMO products and services are provided "as is". LEMO makes no warranties or representations with regard to LEMO product & services or use of them, express, implied or statutory, including for accuracy, completeness, or security. The user is fully responsible for his products and applications using LEMO components.

## Electrical Configuration

Contact Termination Low voltage	Crimp
R (max)	6.1 mOhm
Insert configuration value	2M.319 - 19 Low Voltage
Insulator	L: PEEK
Rated current	4 Amps
Test voltage (kV rms) Contact-contact	1.2
Test voltage (kV rms) Contact-shell	0.95
Contact retention	22 N
Contact Type	Crimp
Max. Conductor	0.34 mm <sup>2</sup> (AWG 22)
Min. Conductor	0.14 mm <sup>2</sup> (AWG 26)
Bucket Dia.	0.8 mm (0.031in)
Contact Dia.	0.7 mm (0.028in)
Number of contacts Low Voltage	19
Wire Size/AWG	26 - 22
Gender	Standard

## Form & Material

Shell style / Model id	PE - Fixed receptacle, nut fixing with MIL-DTL38999L shell thread
Socket / Receptacle	Fixed Panel Rear Mounted
Housing material	Aluminium (nickel plated [SAE AMS QQ N 290], anthracite color) shell and nut, other pieces bronze/brass
Locking system	Ratchet
Keying	3 keys (beta=150, gamma=60, plug: male contacts, receptacle: female contacts)
Weight	13.95 g

[https://www.lemo.com/int\\_en/solutions/optima/m-ratchet-coupling/pep-2m-319-xlmm.html](https://www.lemo.com/int_en/solutions/optima/m-ratchet-coupling/pep-2m-319-xlmm.html)

LEMO products and services are provided "as is". LEMO makes no warranties or representations with regard to LEMO product & services or use of them, express, implied or statutory, including for accuracy, completeness, or security. The user is fully responsible for his products and applications using LEMO components.

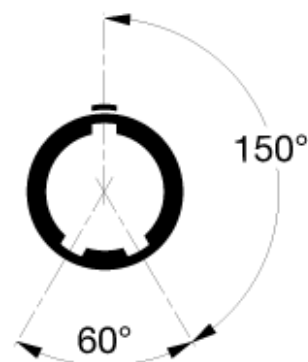
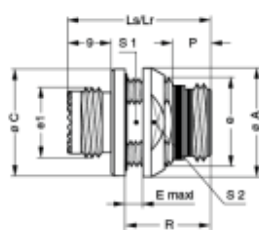
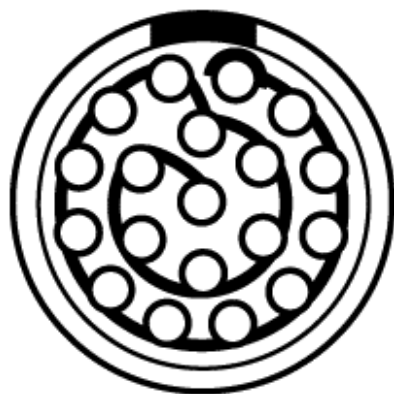
## Environment

Technical domain	Motorsport, Security and Defence, Transportation, Aerospace and UAV
Environmental protection (IP rating)	IP68
Minimal temperature	-20°C / +200°C
EMI Shielding EIA 364-66A	>= 80 dB (1 GHz), >=70 dB (3 GHz), >= 58 dB (6 GHz), >= 40 dB (10 GHz)
Gunfire vibration	25 Hz - 2000 Hz, 3 axis (Apache helicopter)
Humidity (max)	21 days at 95%
Lighting strike EIA 364-76	10K amps - 6 times
Shock Resistance	300 g [ 3 ms]
Thermal shock	5 cycles: -65°C to +150°C
Vibration-Random	37.8 g rms - 3 axes, 4 hr amb [50 Hz - 2000 Hz]
Vibration-Sine	30 g, 3 axes, 12 hr [10 Hz - 2000 Hz]
Salt Spray Corrosion	max. 48 hr

## Cable fixation

Cable termination protection	For backshell MIL-DTL-38999M
Fixation type	MIL-DTL-38999M
Jacket cable outside diameter [mm]	6.50 - 13.00 mm

## Drawings



## Dimensions

	<b>A</b>	<b>C</b>	<b>E</b>	<b>e</b>	<b>e1</b>	<b>LS</b>	<b>Lr</b>	<b>R</b>	<b>S1</b>	<b>S2</b>
mm.	21	20.8	5	M17x1.0	M15x1.0	26.4	26.4	13.8	15.5	18
in.	0.83	0.82	0.2			1.04	1.04	0.54	0.61	0.71

[https://www.lemo.com/int\\_en/solutions/optima/m-ratchet-coupling/pep-2m-319-xlmm.html](https://www.lemo.com/int_en/solutions/optima/m-ratchet-coupling/pep-2m-319-xlmm.html)

LEMO products and services are provided "as is". LEMO makes no warranties or representations with regard to LEMO product & services or use of them, express, implied or statutory, including for accuracy, completeness, or security. The user is fully responsible for his products and applications using LEMO components.