



Summary

[Request a quote](#)

[Catalog](#)

Low Voltage	4
Wire Size/AWG	30 - 22
Gender	Standard
Socket / Receptacle	Socket / Receptacle - Fixed Panel Rear Mounted
Locking system	Push-pull
Size	1B
Series	B - Indoor keyed

Technical details

https://www.lemo.com/int_en/solutions/originals/b-indoor-keyed/hcg-1b-304-clvp.html

LEMO products and services are provided "as is". LEMO makes no warranties or representations with regard to LEMO product & services or use of them, express, implied or statutory, including for accuracy, completeness, or security. The user is fully responsible for his products and applications using LEMO components.

Electrical Configuration

Contact Termination Low voltage	PCB - Elbow
R (max)	4.8 mOhm
Insert configuration value	1B.304 - 4 Low Voltage
Insulator	L: PEEK (UL 94 / V-0/1.5)
Vtest (contact-contact)	1350 V (AC), 1910 V (DC)
Vtest (contact-shell)	1450 V (AC), 2050 V (DC)
Contact Type	Print (elbow)
Contact Dia.	0.9 mm (0.035in)
Low Voltage	4
Differentiated pairs (High speed)	1
Wire Size/AWG	30 - 22
Gender	Standard

Form & Material

Shell style / Model id	HC - Fixed receptacle, nut fixing, watertight or vacuum-tight (watertight when mated, back panel mounting)
Socket / Receptacle	Fixed Panel Rear Mounted
Housing material	Brass (chrome plated [SAE AMS 2460]) shell and collet nut, nickel plated [SAE AMS QQ N 290] brass latch sleeve and mid pieces
Locking system	Push-pull
Keying	1 key (alpha=0, plug: male contacts, receptacle: female contacts)
Variant	Watertight unmated (connector to device)
Weight	23.08 g

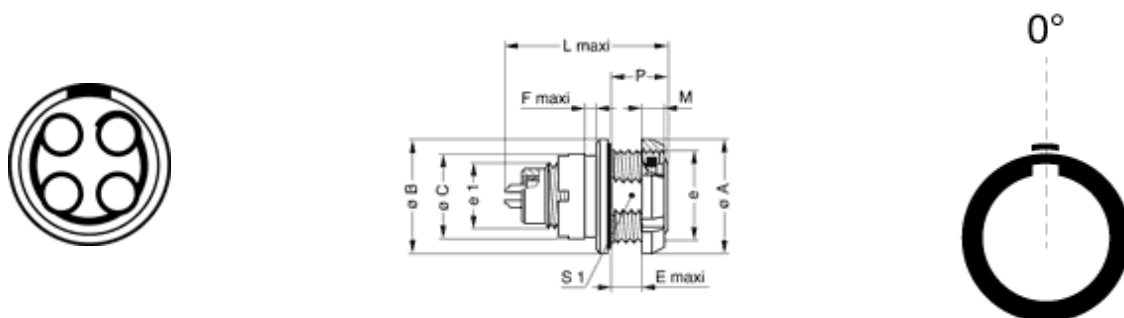
https://www.lemo.com/int_en/solutions/originals/b-indoor-keyed/hcg-1b-304-clvp.html

LEMO products and services are provided "as is". LEMO makes no warranties or representations with regard to LEMO product & services or use of them, express, implied or statutory, including for accuracy, completeness, or security. The user is fully responsible for his products and applications using LEMO components.

Environment

Technical domain	Audio Video, Energy and Industrial, Medical, Semiconductor, Specialties and Other, Test and Measurement, Transportation, Aerospace and UAV
Environmental protection (IP rating)	IP68
Minimal temperature	-20°C / +100°C
Climatical Category	20/80/21
Humidity (max)	<=95% [at 60 deg C /140 F]
Shielding (min)	75 dB (10 MHz)
Shielding (min)	40 dB (1 GHz)
Shock Resistance	100 g [6 ms]
Vibration	15 g [10 Hz - 2000 Hz]
Pressure	60 bars
Salt Spray Corrosion	>1000 hr

Drawings



Dimensions

	B	C	e	A	F	L	M	P	S1	E	e1
mm.	20	14.5	M16x1.0	20	2	30.3	3.5	10	14.5	6.2	M12x1.0
in.	0.79	0.57		0.79	0.08	1.19	0.14	0.39	0.57	0.24	

https://www.lemo.com/int_en/solutions/originals/b-indoor-keyed/hcg-1b-304-clvp.html

LEMO products and services are provided "as is". LEMO makes no warranties or representations with regard to LEMO product & services or use of them, express, implied or statutory, including for accuracy, completeness, or security. The user is fully responsible for his products and applications using LEMO components.