



Summary

[Request a quote](#)

[Catalog](#)

Number of contacts Low Voltage	18
Wire Size/AWG	24 - 20
Gender	Standard
Socket / Receptacle	Socket / Receptacle - Fixed Panel Front Mounted
Locking system	Push-pull
Jacket cable outside diameter [mm]	2.00 - 22.60 mm
Size	3K
Matching parts	FGG.3K.318.CYCK11
Series	K - Outdoor keyed

Technical details

https://www.lemo.com/int_en/solutions/originals/k-outdoor-keyed/egg-3k-318-cym.html

LEMO products and services are provided "as is". LEMO makes no warranties or representations with regard to LEMO product & services or use of them, express, implied or statutory, including for accuracy, completeness, or security. The user is fully responsible for his products and applications using LEMO components.

Electrical Configuration

Contact Termination Low voltage	Crimp
R (max)	4.8 mOhm
Insert configuration value	3K.318 - 18 Low Voltage
Insulator	Y: PEEK for crimp contacts
Rated current	7 Amps
Vtest (contact-contact)	1850 V (AC), 2600 V (DC)
Vtest (contact-shell)	1600 V (AC), 2250 V (DC)
Contact retention	30 N
Contact Type	Crimp
Max. Conductor	0.5 mm ² (AWG 20)
Min. Conductor	0.25 mm ² (AWG 24)
Bucket Dia.	1.1 mm (0.043in)
Contact Dia.	0.9 mm (0.035in)
Number of contacts Low Voltage	18
Wire Size/AWG	24 - 20
Gender	Standard

Form & Material

Shell style / Model id	EG - Fixed receptacle, nut fixing
Socket / Receptacle	Fixed Panel Front Mounted
Housing material	Brass (chrome plated [SAE AMS 2460]) shell, collet nut and latch sleeve, nickel plated [SAE AMS QQ N 290] brass mid pieces
Locking system	Push-pull
Keying	1 key (alpha=0, plug: male contacts, receptacle: female contacts)
Weight	71.16 g

https://www.lemo.com/int_en/solutions/originals/k-outdoor-keyed/egg-3k-318-cym.html

LEMO products and services are provided "as is". LEMO makes no warranties or representations with regard to LEMO product & services or use of them, express, implied or statutory, including for accuracy, completeness, or security. The user is fully responsible for his products and applications using LEMO components.

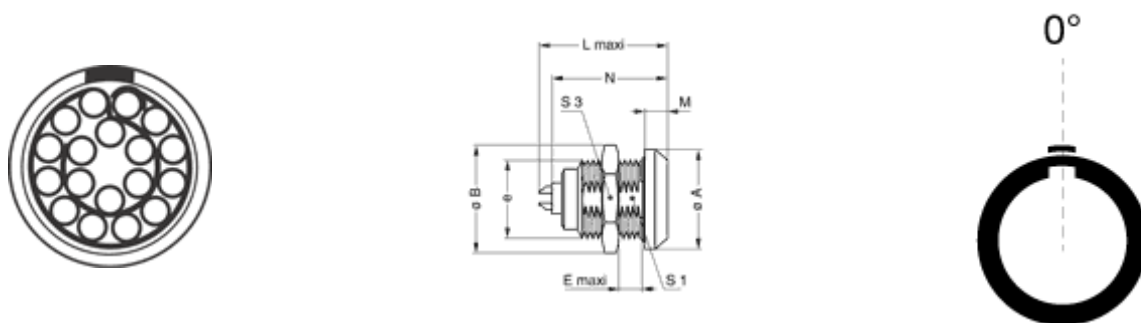
Environment

Technical domain	Audio Video, Energy and Industrial, Medical, Test and Measurement
Environmental protection (IP rating)	IP68
Minimal temperature	-55°C / +200°C
Climatical Category	50/175/21
Humidity (max)	<=95% [at 60 deg C /140 F]
Shielding (min)	95 dB (10 MHz)
Shielding (min)	80 dB (1 GHz)
Shock Resistance	100 g [6 ms]
Vibration	15 g [10 Hz - 2000 Hz]
Salt Spray Corrosion	>1000 hr

Cable fixation

Jacket cable outside diameter [mm]	2.00 - 22.60 mm
------------------------------------	-----------------

Drawings



Dimensions

	e	E	L	M	N	S1	S3	A	B
mm.	M24x1.0	11	36.2	6	33.6	22.5	30	31	34.5
in.		0.43	1.43	0.24	1.32	0.89	1.18	1.22	1.36

https://www.lemo.com/int_en/solutions/originals/k-outdoor-keyed/egg-3k-318-cym.html

LEMO products and services are provided "as is". LEMO makes no warranties or representations with regard to LEMO product & services or use of them, express, implied or statutory, including for accuracy, completeness, or security. The user is fully responsible for his products and applications using LEMO components.

Recommended By Lemo

Accessories

Replacement contact [EGG.3B.660.ZZM](#)






Tools

Positionner [DCE.91.093.BVM](#)

Extraction tool [DCC.09.05B.LAG](#)

Crimp tool [DPC.91.701.V](#)

Cables

Cable PartNumber	Material	Colour	Cable image
CMN.18.T30.048QGZE	TPR (medical)	Grey	
218220	PVC	Black	
218240	PVC	Black	
218260	PVC	Black	
236080	PVC	Grey	
318250	PVC	Grey	

https://www.lemo.com/int_en/solutions/originals/k-outdoor-keyed/egg-3k-318-cym.html

LEMO products and services are provided "as is". LEMO makes no warranties or representations with regard to LEMO product & services or use of them, express, implied or statutory, including for accuracy, completeness, or security. The user is fully responsible for his products and applications using LEMO components.