



Image for illustrative purpose only

## Summary

[Request a quote](#)

[Catalog](#)

Number of contacts Low Voltage	5
Wire Size/AWG	24 - 20
Gender	Standard
Socket / Receptacle	Socket / Receptacle - Fixed Panel Front Mounted
Locking system	Push-pull
Jacket cable outside diameter [mm]	1.00 - 10.60 mm
Size	1B
Suggested matching part	<a href="#">FGG.1B.305.CYCD62Z</a>
Series	B - Indoor keyed

[https://www.lemo.com/int\\_en/solutions/originals/b-indoor-keyed/egg-1b-305-cym.html](https://www.lemo.com/int_en/solutions/originals/b-indoor-keyed/egg-1b-305-cym.html)

LEMO products and services are provided "as is". LEMO makes no warranties or representations with regard to LEMO product & services or use of them, express, implied or statutory, including for accuracy, completeness, or security. The user is fully responsible for his products and applications using LEMO components.

# Technical details

## Electrical Configuration

Number of contacts Low Voltage	5
Contact Termination Low voltage	Crimp
R (max)	4.8 mOhm
Insert configuration value	1B.305 - 5 Low Voltage
Insulator	Y: PEEK for crimp contacts
Rated current	9 A
Vtest (contact-contact)	1.9 kV (DC)
Vtest (contact-shell)	2.2 kV (DC)
Contact retention	30 N
Max. Conductor	0.5 mm <sup>2</sup> (AWG 20)
Min. Conductor	0.25 mm <sup>2</sup> (AWG 24)
Bucket Dia.	1.1 mm (0.043in)
Contact Dia.	0.9 mm (0.035in)
Wire Size/AWG	24 - 20
Gender	Standard

## Form & Material

Shell style / Model id	EG - Fixed receptacle, nut fixing
Socket / Receptacle	Fixed Panel Front Mounted
Housing material	Brass (chrome plated [SAE AMS 2460]) shell and collet nut, nickel plated [SAE AMS QQ N 290] brass latch sleeve and mid pieces
Locking system	Push-pull
Keying	G: 1 key (alpha=0, plug: male contacts, receptacle: female contacts)
Colour	Grey
Weight	10.07 g

[https://www.lemo.com/int\\_en/solutions/originals/b-indoor-keyed/egg-1b-305-cym.html](https://www.lemo.com/int_en/solutions/originals/b-indoor-keyed/egg-1b-305-cym.html)

LEMO products and services are provided "as is". LEMO makes no warranties or representations with regard to LEMO product & services or use of them, express, implied or statutory, including for accuracy, completeness, or security. The user is fully responsible for his products and applications using LEMO components.

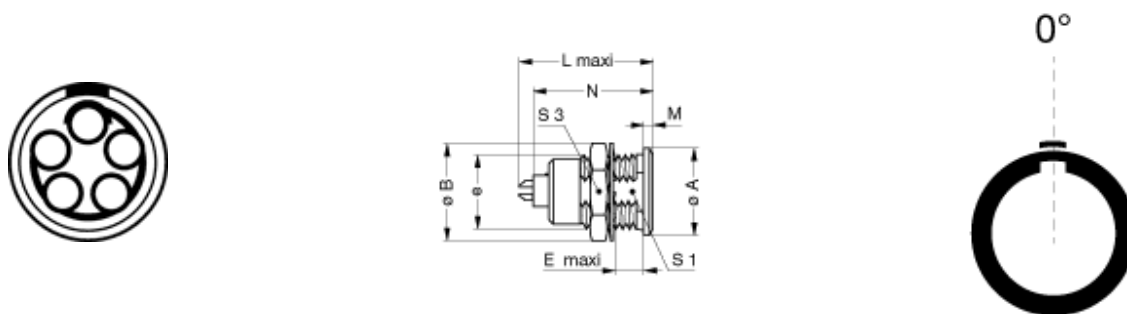
## Environment

Technical domain	Audio Video, Energy and Industrial, Medical, Semiconductor, Specialties and Other, Test and Measurement, Transportation, Aerospace and UAV
Environmental sealing (IP rating)	IP50
Endurance	5000 mating cycles
Temperature range	-55°C / +250°C (max. temperature valid for short periods of use.)
Climatical Category	50/175/21
Humidity (max)	<=95% [at 60 deg C /140 F]
Shielding (min)	75 dB (10 MHz)
Shielding (min)	40 dB (1 GHz)
Shock Resistance	100 g [ 6 ms]
Vibration	15 g [10 Hz - 2000 Hz]
Salt Spray Corrosion	>1000 hr

## Cable fixation

Jacket cable outside diameter [mm]	1.00 - 10.60 mm
------------------------------------	-----------------

## Drawings



## Dimensions

	<b>e</b>	<b>E</b>	<b>L</b>	<b>M</b>	<b>N</b>	<b>S1</b>	<b>S3</b>	<b>A</b>	<b>B</b>
mm.	M12x1.0	7.5	23	1.5	21.1	10.5	14	14	16
in.		0.3	0.91	0.06	0.83	0.41	0.55	0.55	0.63

[https://www.lemo.com/int\\_en/solutions/originals/b-indoor-keyed/egg-1b-305-cym.html](https://www.lemo.com/int_en/solutions/originals/b-indoor-keyed/egg-1b-305-cym.html)

LEMO products and services are provided "as is". LEMO makes no warranties or representations with regard to LEMO product & services or use of them, express, implied or statutory, including for accuracy, completeness, or security. The user is fully responsible for his products and applications using LEMO components.

# Recommended By Lemo

## Accessories

Replacement contact [EGG.1B.660.ZZM](#)

Compatible cap [BRE.1S.200.NAS](#)

## Tools




Spanner [DCA.91.201.4TN](#)

Positionner [DCE.91.091.BVM](#)

Extraction tool [DCC.09.05B.LAG](#)

Crimp tool [DPC.91.701.V](#)

# Cables

Cable PartNumber	Material	Colour	Cable image
CMN.05.T20.057PGZE		grey	
CMN.05.T20.057PNZE			
CMN.05.T20.057QGZE	TPR (medical)	Grey	
CMN.05.T22.051QGZE	TPR (medical)	Grey	
CMN.05.T28.029PGCE	PVC	GREY	
CMN.05.T28.029PGZE		grey	
CMN.05.T28.029PNCE	PVC	Black	
CMN.05.T28.029PNZE			
150250	PVC	Grey	
250500	PVC	Grey	
50090	PVC	Black	
50140	PVC	Grey	
5050	PVC	Black	

[https://www.lemo.com/int\\_en/solutions/originals/b-indoor-keyed/egg-1b-305-cym.html](https://www.lemo.com/int_en/solutions/originals/b-indoor-keyed/egg-1b-305-cym.html)

LEMO products and services are provided "as is". LEMO makes no warranties or representations with regard to LEMO product & services or use of them, express, implied or statutory, including for accuracy, completeness, or security. The user is fully responsible for his products and applications using LEMO components.