



Summary

[Request a quote](#)

[Catalog](#)

Number of contacts Low Voltage	18
Wire Size/AWG	30 - 22
Gender	Standard
Socket / Receptacle	Socket / Receptacle - Fixed Panel Rear Mounted
Locking system	Push-pull
Jacket cable outside diameter [mm]	1.00 - 18.60 mm
Size	2K
Matching parts	FGG.2K.318.CLAC70Z
Series	K - Outdoor keyed

Technical details

https://www.lemo.com/int_en/solutions/originals/k-outdoor-keyed/eeg-2k-318-cll.html

LEMO products and services are provided "as is". LEMO makes no warranties or representations with regard to LEMO product & services or use of them, express, implied or statutory, including for accuracy, completeness, or security. The user is fully responsible for his products and applications using LEMO components.

Electrical Configuration

Contact Termination Low voltage	Solder
R (max)	6.1 mOhm
Insert configuration value	2K.318 - 18 Low Voltage
Insulator	L: PEEK (UL 94 / V-0/1.5)
Rated current	5.5 Amps
Vtest (contact-contact)	850 V (AC), 1200 V (DC)
Vtest (contact-shell)	1200 V (AC), 1700 V (DC)
Contact Type	Solder
Max. Solid Conductor	0.34 mm ² (AWG 22)
Max. Stranded Conductor	0.34 mm ² (AWG 22)
Bucket Dia.	0.8 mm (0.031in)
Contact Dia.	0.7 mm (0.028in)
Number of contacts Low Voltage	18
Wire Size/AWG	30 - 22
Gender	Standard

Form & Material

Shell style / Model id	EE - Fixed receptacle, nut fixing (back panel mounting)
Socket / Receptacle	Fixed Panel Rear Mounted
Housing material	Brass (chrome plated [SAE AMS 2460]) shell, collet nut and latch sleeve, nickel plated [SAE AMS QQ N 290] brass mid pieces
Locking system	Push-pull
Keying	1 key (alpha=0, plug: male contacts, receptacle: female contacts)
Weight	34.89 g

https://www.lemo.com/int_en/solutions/originals/k-outdoor-keyed/eeg-2k-318-cll.html

LEMO products and services are provided "as is". LEMO makes no warranties or representations with regard to LEMO product & services or use of them, express, implied or statutory, including for accuracy, completeness, or security. The user is fully responsible for his products and applications using LEMO components.

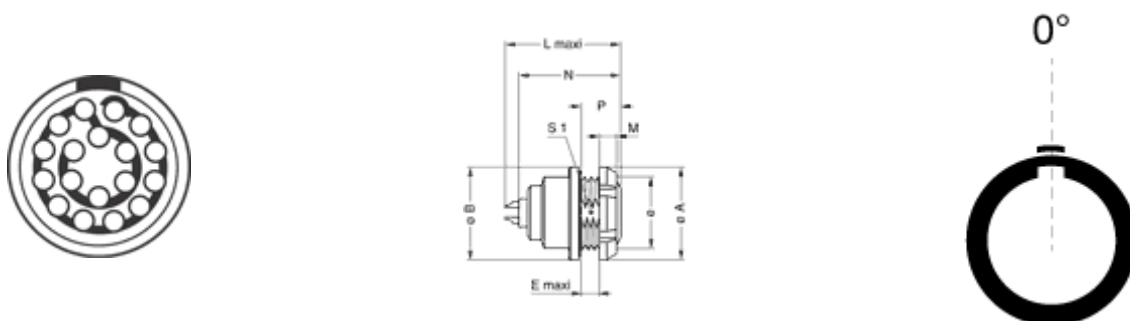
Environment

Technical domain	Audio Video, Energy and Industrial, Medical, Test and Measurement
Environmental protection (IP rating)	IP68
Minimal temperature	-55°C / +200°C
Climatical Category	50/175/21
Humidity (max)	<=95% [at 60 deg C /140 F]
Shielding (min)	95 dB (10 MHz)
Shielding (min)	80 dB (1 GHz)
Shock Resistance	100 g [6 ms]
Vibration	15 g [10 Hz - 2000 Hz]
Salt Spray Corrosion	>1000 hr

Cable fixation

Jacket cable outside diameter [mm]	1.00 - 18.60 mm
------------------------------------	-----------------

Drawings



Dimensions

	B	e	E	L	M	N	P	A	S1
mm.	25	M20x1.0	5	30.7	3.5	28.6	10	25	18.5
in.	0.98		0.2	1.21	0.14	1.13	0.39	0.98	0.73

https://www.lemo.com/int_en/solutions/originals/k-outdoor-keyed/eeg-2k-318-cl.html

LEMO products and services are provided "as is". LEMO makes no warranties or representations with regard to LEMO product & services or use of them, express, implied or statutory, including for accuracy, completeness, or security. The user is fully responsible for his products and applications using LEMO components.






Recommended By Lemo

Accessories

Tools

Spanner	DCH.91.251.PA
Spanner wrench	Socket for torque wrench DCM.2E.M20.6

Cables

Cable PartNumber	Material	Colour	Cable image
CMN.18.T30.048QGZE	TPR (medical)	Grey	
218220	PVC	Black	
218240	PVC	Black	
218260	PVC	Black	
236080	PVC	Grey	
318250	PVC	Grey	

https://www.lemo.com/int_en/solutions/originals/k-outdoor-keyed/eeg-2k-318-cll.html

LEMO products and services are provided "as is". LEMO makes no warranties or representations with regard to LEMO product & services or use of them, express, implied or statutory, including for accuracy, completeness, or security. The user is fully responsible for his products and applications using LEMO components.