



Summary

[Request a quote](#)

[Catalog](#)

Number of contacts Low Voltage	10
Gender	Standard
Socket / Receptacle	Socket / Receptacle - Free
Locking system	Quick-release (Snap-on)
Size	2P
Series	REDEL P - Push-Pull

Technical details

Electrical Configuration

Contact Termination Low voltage	Solder
Insert configuration value	2P.M10 - 10 Low V.
Insulator	L: PEEK for solder contacts
Rated current	8 Amps
Test voltage (kV rms) Contact-contact	1.45
Contact Type	Solder
Air clearance	0.7 mm
Creepage distance	0.7 mm
Bucket Dia.	0.8 mm (0.031in)
Contact Dia.	0.9 mm (0.035in)
Number of contacts Low Voltage	10
Gender	Standard

https://www.lemo.com/int_en/solutions/redel/redel-p-push-pull/crb-m10-gll-c92gz.html

LEMO products and services are provided "as is". LEMO makes no warranties or representations with regard to LEMO product & services or use of them, express, implied or statutory, including for accuracy, completeness, or security. The user is fully responsible for his products and applications using LEMO components.

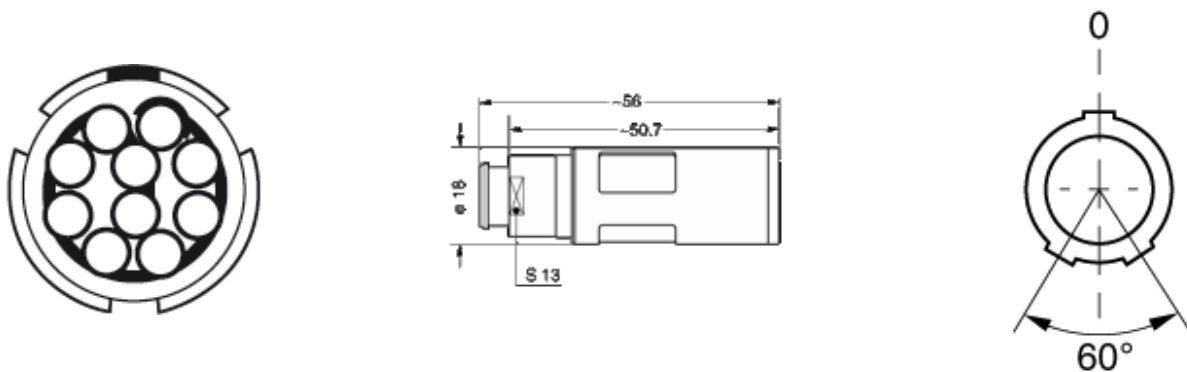
Form & Material

Shell style / Model id	CR - Free receptacle with cable collet and nut for fitting a bend relief
Socket / Receptacle	Free
Housing material	PSU (Polysulfone), gray
Locking system	Quick-release (Snap-on)
Keying	3 keys (alpha=0, gamma=60, Plug: male contacts, Receptacle: female contacts)
Weight	11.39 g

Environment

Technical domain	Energy and Industrial, Medical, Test and Measurement, Transportation, Aerospace and UAV
Environmental protection (IP rating)	IP50
Minimal temperature	-50°C / +150°C
F ret (max)	250 N
F ret (min)	150 N
Steam sterilization	20 times

Drawings



Dimensions

	A	L
mm.	18	56
in.	0.71	2.2

https://www.lemo.com/int_en/solutions/redel/redel-p-push-pull/crb-m10-gll-c92gz.html

LEMO products and services are provided "as is". LEMO makes no warranties or representations with regard to LEMO product & services or use of them, express, implied or statutory, including for accuracy, completeness, or security. The user is fully responsible for his products and applications using LEMO components.